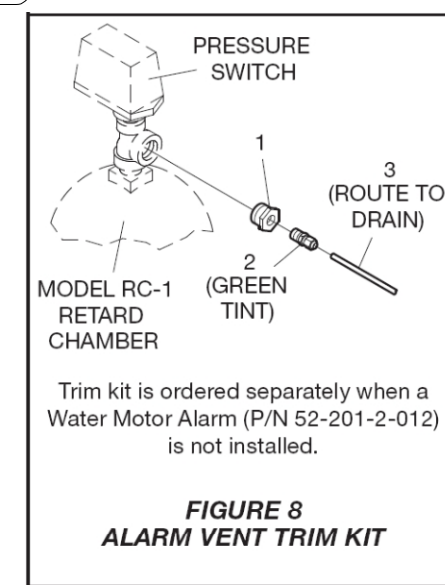
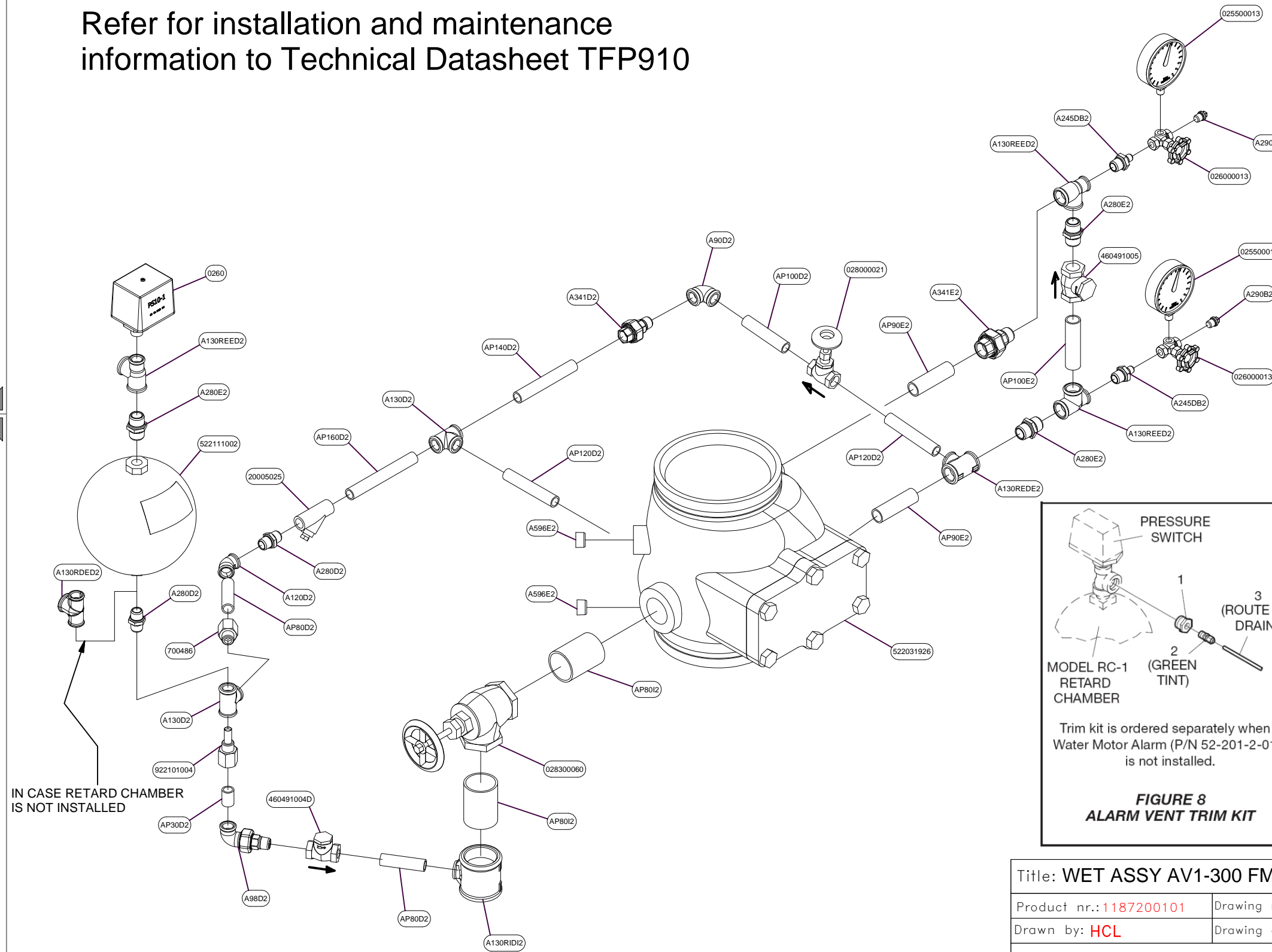
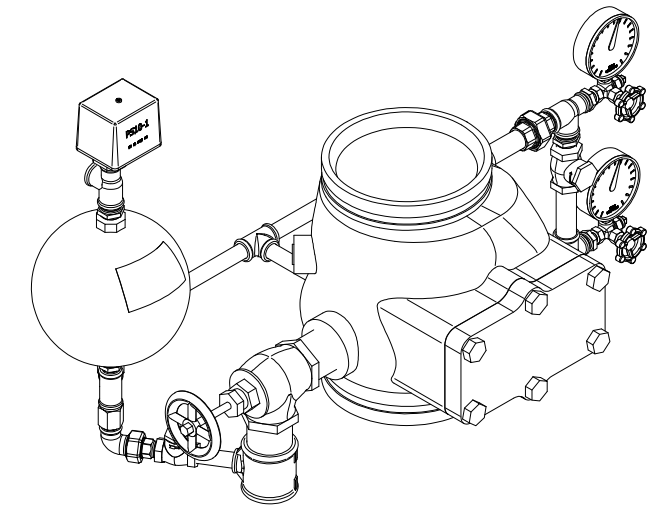


DRAWING FOR BASIC TRIM FM WET 8"-DN200

Article No: 522042952E

Refer for installation and maintenance information to Technical Datasheet TFP910



ITEM	PART NUMBER	QTY	DESCRIPTION
35	025500013	2	WATER GAUGE 1/4" NPT MALE 0 - 300 PSI / 0 - 21 BAR UL LISTED & FM APPROVED
34	0260	1	PRESSURE SWITCH MOD. PS10-1 SINGLE CONTACT; 1/2" NPT MALE
33	026000013	2	3-WAY GAUGE VALVE 1/4" NPT FEMALE BRASS
32	028000021	1	GLOBE VALVE 1/2" NPT FEMALE BRASS
31	028300060	1	GLOBE VALVE ANGLE 2" NPT FEMALE INLET X 2" NPT FEMALE OUTLET BRASS
30	20005025	1	STRAINER Y-TYPE; FIG 557; 1/2" NPT CONNECTION; 50 MESH; S304 SCREEN; BRONZE BODY
29	460491004D	1	SWING TYPE CHECK VALVE 1/2" TYPE 99S
28	460491005	1	SWING TYPE CHECK VALVE 3/4" TYPE 99S
27	522031926	1	WET ALARM VALVE MODEL AV-1-300 DUCTILE IRON BODY; GROOVED ENDS 8"
26	522111002	1	RETARDING CHAMBER RC-1
25	700486	1	NIPPLE 1/2" M/F ORIFICE 5.6MM BRASS
24	922101004	1	RESTRICTION W/.125" ORIFICE AND SCREEN 1/2" WITH SCREEN
23	A120D2	1	MALLEABLE FITTING - ELBOW 45° FIG 120 FEMALE/FEMALE BSP SIZE 1/2" FINISH: GALVANIZED
22	A130D2	2	MALLEABLE FITTING - TEE FIG 130 FEMALE BSP 1/2" GALVANIZED
21	A130REDE2	1	MALLEABLE FITTING - RED TEE FIG 130R FEMALE BSP SIZE 3/4"x1/2"x3/4" GALVANIZED
20	A130REED2	3	MALLEABLE FITTING - RED TEE SIZE 3/4"x3/4"x1/2" FINISH: GALVANIZED
19	A130RID2	1	MALLEABLE FITTING - RED TEE FIG 130R FEMALE BSP SIZE 2"x1/2"x2" GALVANIZED
18	A245DB2	2	MALLEABLE FITTING - NIPPLE FIG 245 MALE/MALE BSP SIZE 1/2"x1/4" GALVANIZED
17	A280D2	2	MALLEABLE FITTING - NIPPLE FIG 280 MALE BSP 1/2" GALVANIZED
16	A280E2	3	MALLEABLE FITTING - NIPPLE FIG 280 MALE BSP 3/4" GALVANIZED
15	A290B2	2	MALLEABLE FITTING - PLUG FIG 290 MALE BSP 1/4" GALVANIZED
14	A341D2	1	MALLEABLE FITTING - UNION FIG 341 MALE/FEMALE BSP SIZE 1/2" FINISH: GALVANIZED
13	A341E2	1	MALLEABLE FITTING - UNION FIG 341 MALE/FEMALE BSP SIZE 3/4" FINISH: GALVANIZED
12	A596E2	2	MALLEABLE FITTING - PLUG FIG 596 MALE BSP SIZE 3/4" FINISH: GALVANIZED
11	A90D2	1	MALLEABLE FITTING - ELBOW 90° FIG 90 FEMALE/FEMALE BSP 1/2" GALVANIZED
10	A98D2	1	MALLEABLE FITTING - UNION FIG 98 MALE/FEMALE BSP SIZE 1/2" FINISH: GALVANIZED
9	AP100D2	1	PIPE NIPPLE - STEEL 37.0 MALE BSPT DIN 2982 SIZE 1/2" - LENGTH 100mm GALVANIZED
8	AP100E2	1	PIPE NIPPLE - STEEL 37.0 MALE BSPT DIN 2982 SIZE 3/4" - LENGTH 100mm GALVANIZED
7	AP120D2	2	PIPE NIPPLE - STEEL 37.0 MALE BSPT DIN 2982 SIZE 1/2" - LENGTH 120mm GALVANIZED
6	AP140D2	1	PIPE NIPPLE - STEEL 37.0 MALE BSPT DIN 2982 SIZE 1/2" - LENGTH 140mm GALVANIZED
5	AP160D2	1	PIPE NIPPLE - STEEL 37.0 MALE BSPT DIN 2982 SIZE 1/2" - LENGTH 160mm GALVANIZED
4	AP30D2	1	PIPE NIPPLE - STEEL 37.0 MALE BSPT DIN 2982 SIZE 1/2" - LENGTH 30mm GALVANIZED
3	AP80D2	2	PIPE NIPPLE - STEEL 37.0 MALE BSPT DIN 2982 SIZE 1/2" - LENGTH 80mm GALVANIZED
2	AP80I2	2	PIPE NIPPLE - STEEL 37.0 MALE BSPT DIN 2982 SIZE 2" - LENGTH 80mm GALVANIZED
1	AP90E2	2	PIPE NIPPLE - STEEL 37.0 MALE BSPT DIN 2982 SIZE 3/4" - LENGTH 90mm GALVANIZED

IN CASE RETARD CHAMBER IS NOT INSTALLED

Document article no: AED0000022 (Rev.: 2)

Title: WET ASSY AV1-300 FM DN200 8" 219 MM WITH RC-1; GRVxGRV

Product nr.: 1187200101	Drawing name: 1187200101.idw	Revision nr.: 2	Controlled by :
Drawn by: HCL	Drawing date: 3/14/2005	Revision date: 8/23/2010	

tyco Fire Suppression & Building Products

Important Notice: This drawing is not intended to represent an "Approval" by Tyco Fire & Building Products. Products sold by Tyco Fire & Building Products must be installed and maintained in compliance with our technical data sheets, as well as the applicable standards of the applicable Associations or local jurisdictions. Tyco Fire Building Products is not an approving authority and final approval must still be obtained from the local Authority Having Jurisdiction. Tyco Fire & Building Products assumes no liability by providing these options to you.

Method A-ISO 128

Scale :
Size :
A3

ALL RIGHTS RESERVED This document cannot be reproduced or disclosed to third parties without the written consent of TYCO BSP