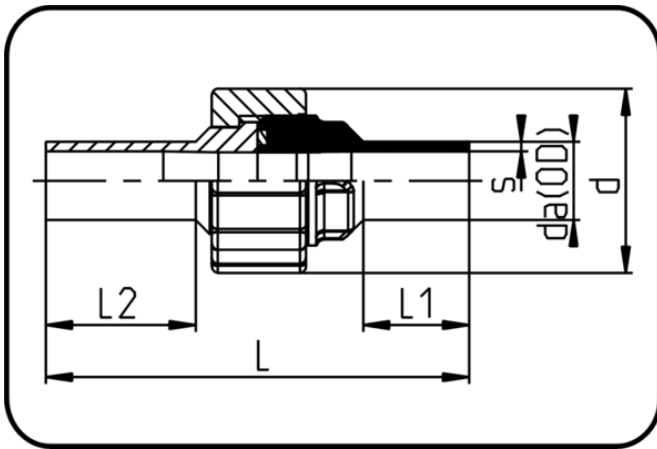


Fittings



Code: 024

- Union Type 24
- FPM-sealing with FDA Approval
- injection moulded
- Butt+IR-welding
- PP Pure grey

Dimension	Code	Detail	da(OD) mm	s mm	L mm	L1 mm	L2 mm	d mm	Weight
20	72.024.0120.11	20X1,9 SDR11 ISO S-5	20	1,9	108	24	38	47	0.05
25	72.024.0125.11	25X2,3 SDR11 ISO S-5	25	2,3	114	24	39	57	0.075
32	72.024.0132.11	32X2,9 SDR11 ISO S-5	32	2,9	122	25	39	64	0.105
40	72.024.0140.11	40X3,7 SDR11 ISO S-5	40	3,7	128	25	42	78	0.171
50	72.024.0150.11	50X4,6 SDR11 ISO S-5	50	4,6	134	25	44	89	0.237
63	72.024.0163.11	63X5,8 SDR11 ISO S-5	63	5,8	138	25	44	109	0.382